



DURATEMP[®]

CORPORATION

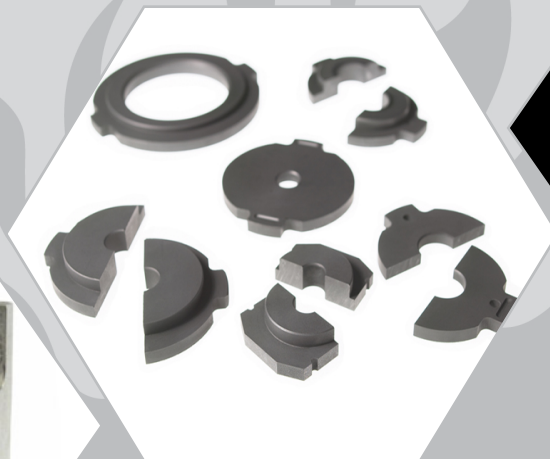


Takeout Holders & Inserts

Inserts are available in several grades and recommended based on the type of ware, the length of the production run, and preferred method of pick-up.

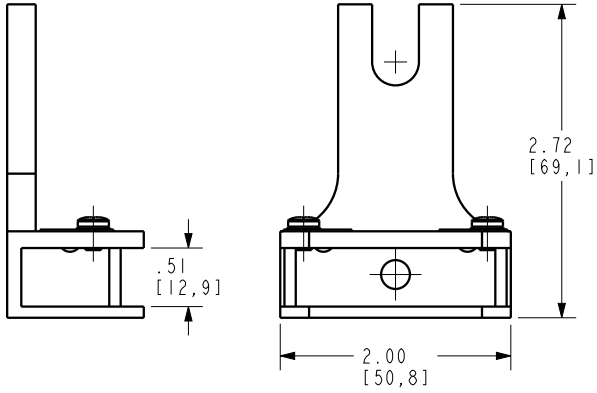
Benefits

Insert blanks or ready machined profiles	Prevents sticking and thermal checks
Crown, bead, thread and under-thread profiles	Offered in multiple materials for all applications
Snap-in system for quick-change of inserts	Available in fixed and floating styles

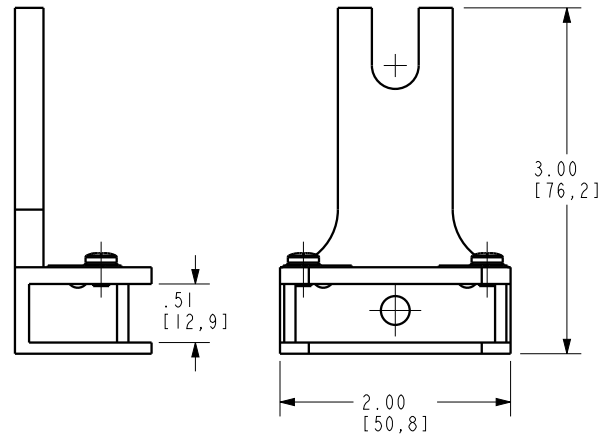


TAKEOUT HOLDERS

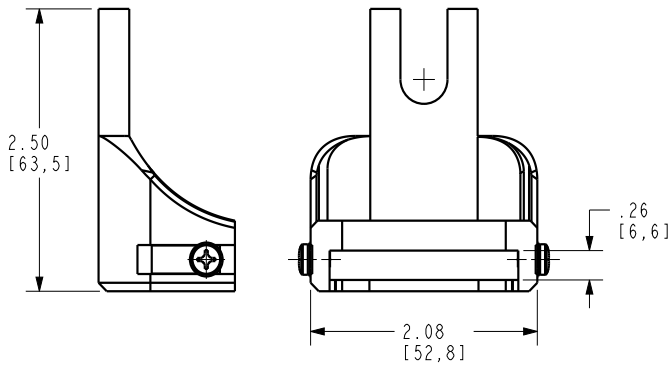
TOT-2100-ST



TOT-2100-ST-3



TOT-2000-SS-01



TAKEOUT INSERTS

Supplied as blanks or ready machined to specifications

