



DURA TEMP[®]

CORPORATION



Generation IV Vortex Sweepout Assembly

The Generation IV Vortex Sweepout Assembly is designed to improve handling and user experience on Servo pusher systems that may incorporate vertical pocket air.

Benefits

Universal Backplate allows for flexibility and reduced inventory	Large contact pads to prevent denting
Easy replacement of contact material and nozzles	>1mm contact pad wear life
Steel reinforced fingers and brackets prevent bending	Contoured pads available
Lightweight and simplistic design	Disassembles from front, so contact material and nozzles can easily be replaced without removing from the machine

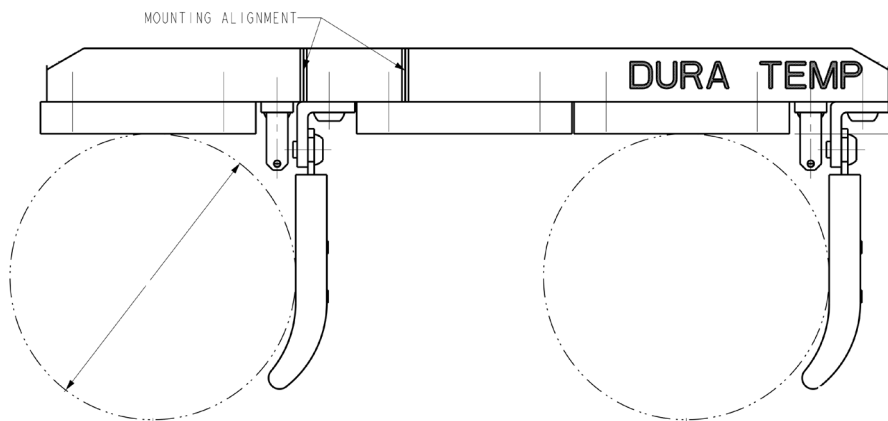




DURA TEMP
CORPORATION

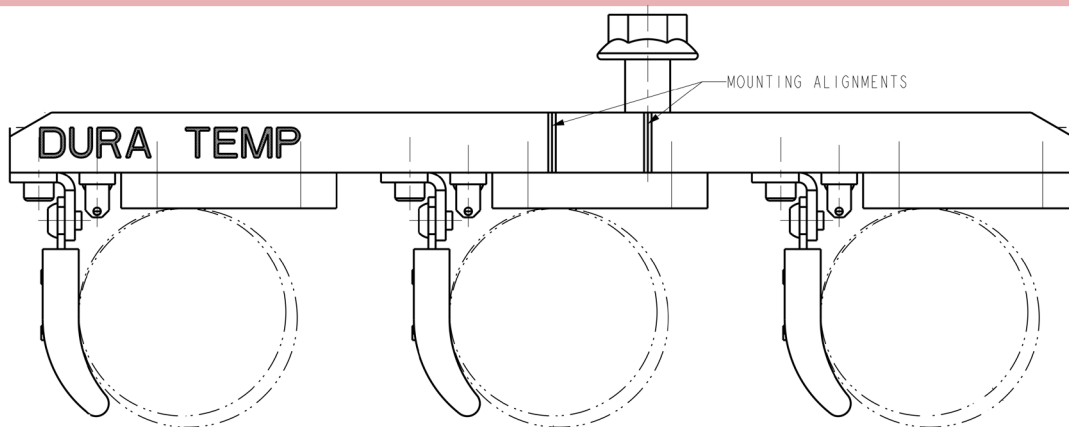
DOUBLE

Can be made for left, right, or convertible left/right hand operation



TRIPLE

Can be made for left, right, or convertible left/right hand operation



QUADRUPLE

Can be made for left, right, or convertible left/right hand operation

